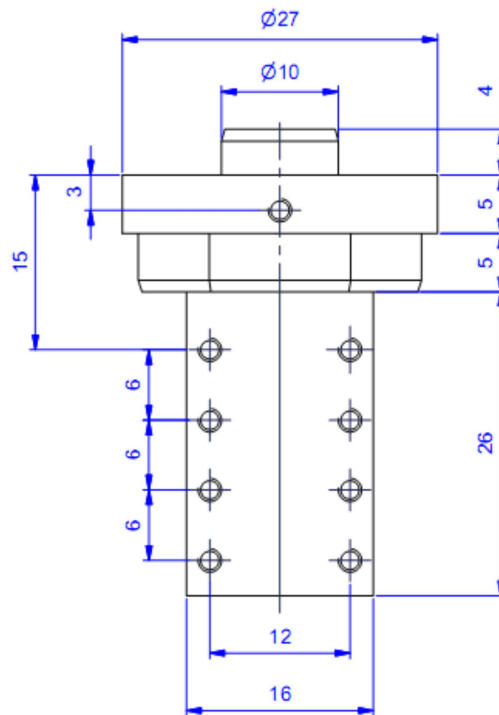


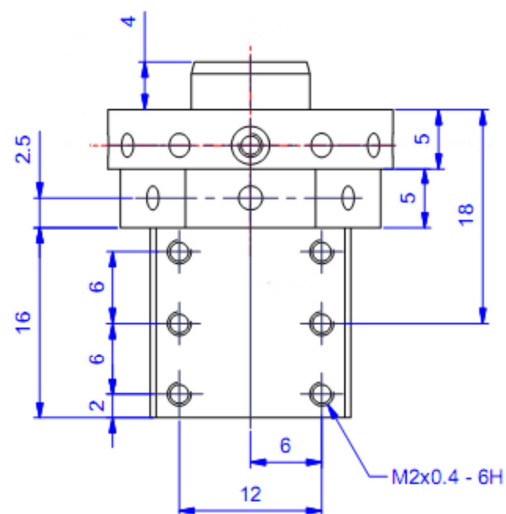
Sample holders used on the DEIMOS beamline (SOLEIL) (08/12/2011)

All the sample holders used for the cryomagnet are in copper. The most commonly used are the "Long" and the one made to host an Omicron plate (needed for the transfer to the *in situ* preparation chamber (STM, LEED, AES, ...)).

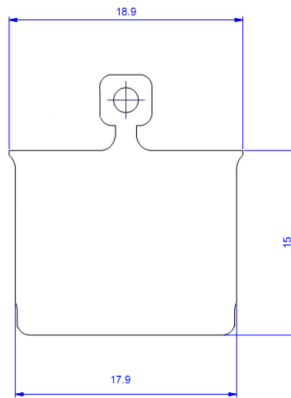
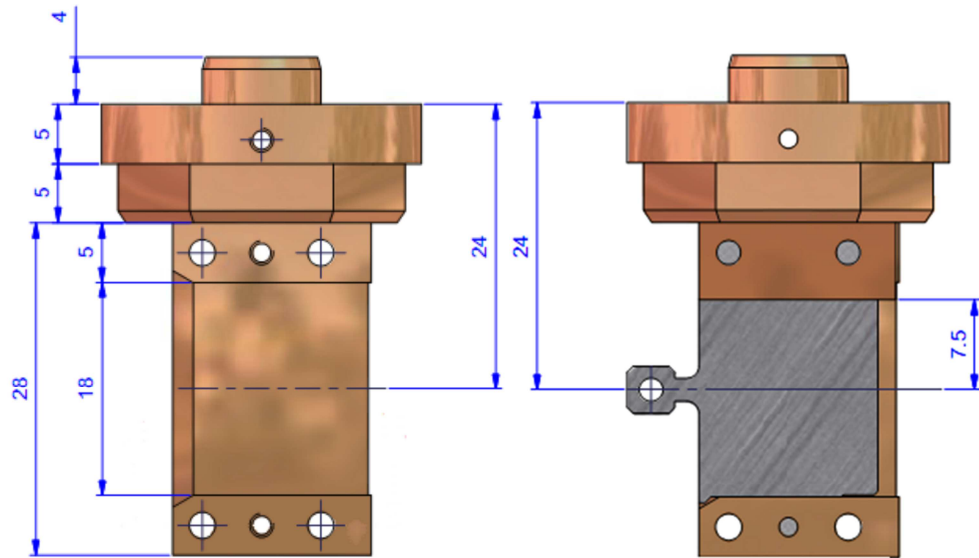
- "Long" (useful surface $\sim 26 \times 12$ mm²) :



- "Short" (useful surface $\sim 16 \times 12$ mm²) :



- For Omicron plate (useful surface $\sim 12 \times 12 \text{ mm}^2$) :



- With \varnothing rotation (useful surface $\varnothing \sim 8 \text{ mm}$) :

