

## RAOUL

This second chamber is in use today for organic material deposition with a water cool effusion cell and a quartz crystal microbalance. This chamber, initially meant for sample storage and transfer, has three levels:

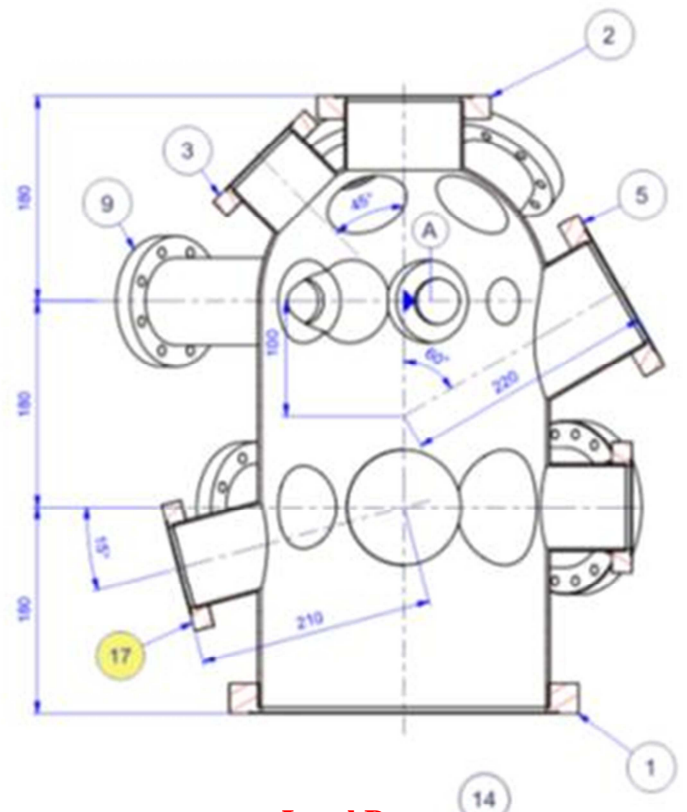
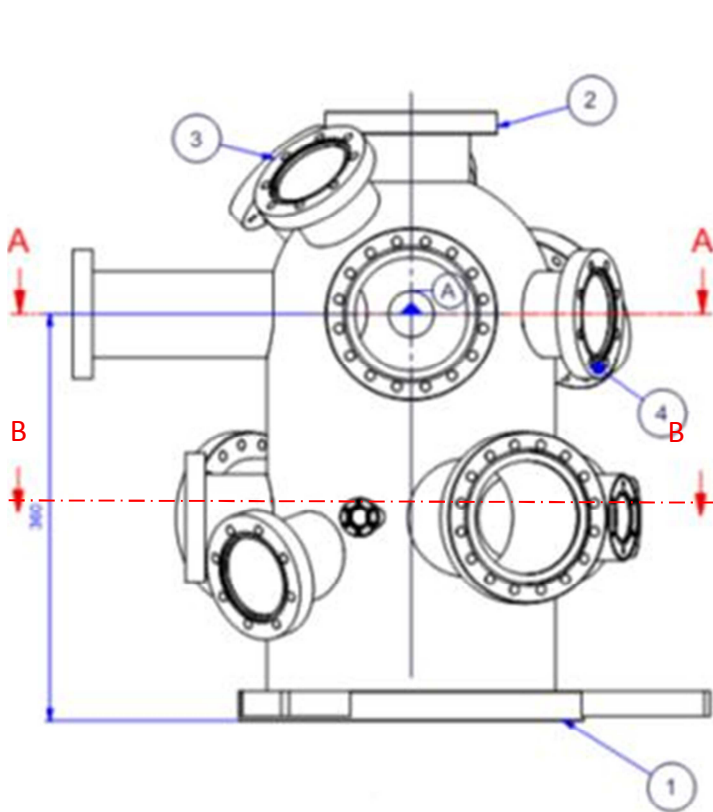
- Upper level: omicron plate storage
- Middle level: sample transfer (**A level**)
- Lower level: sample preparation (**B level**)

The effusion cell is connected to flange 17, which is slightly tilted by 15°. A manual valve isolates the effusion cell from RAOUL chamber; thus the effusion cell is transferable but, unlike EFM 3 evaporators, it is not retractable, i.e. there is a fixe distance of ~250mm between the head of the cell and the sample.

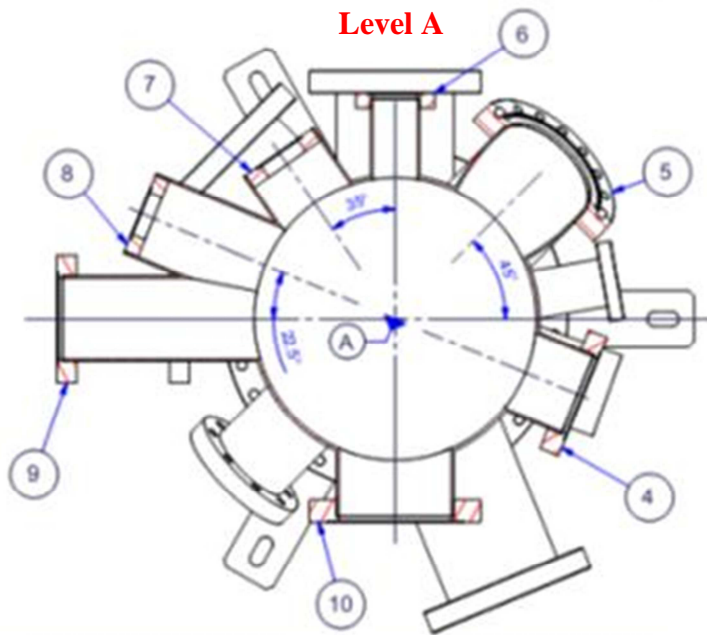
If you wish to bring your own effusion cell, both flanges 16 (horizontal) and 17 (15° tilt) are available.

### RAOUL-little : AVAILABLE end of 2012

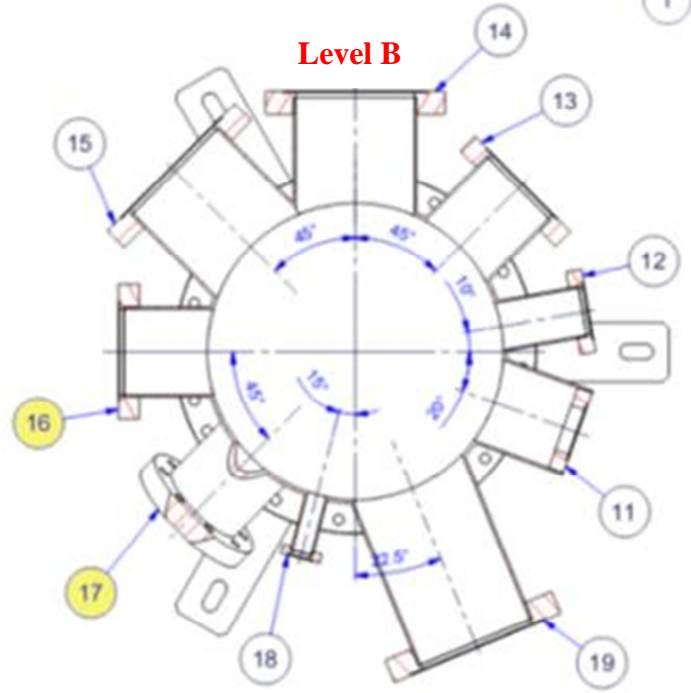
RAOUL-*little* is the chamber that will be dedicated to « not so clean » preparation such as organic material deposition (water cool effusions cell and quartz crystal microbalance), sample scratching and sample cleavage.



**Level A**



**Level B**



| Liste de pièces |             |           |                    |
|-----------------|-------------|-----------|--------------------|
| REPÈRE          | DESCRIPTION | SUR TUBE  | DISTANCE REF A     |
| 1               | CF250       | 250 / 256 | -360               |
| 2               | CF100       | 100 / 104 | + 180              |
| 3               | CF63        | 72 / 76   | 180 a 45°          |
| 4               | CF63        | 72 / 76   | 180                |
| 5               | CF100       | 100 / 104 | voir schéma Raoul1 |
| 6               | CF40        | 40 / 43   | 200                |
| 7               | CF40        | 70 / 73   | 180                |
| 8               | CF40        | 70 / 73   | 245                |
| 9               | CF63        | 72 / 76   | 300                |
| 10              | CF100       | 100 / 104 | 180                |

| Liste de pièces |             |           |                 |
|-----------------|-------------|-----------|-----------------|
| REPÈRE          | DESCRIPTION | SUR TUBE  | DISTANCE CENTRE |
| 11              | CF40        | 70 / 73   | 200             |
| 12              | CF40        | 40 / 43   | 200             |
| 13              | CF63        | 72 / 76   | 200             |
| 14              | CF100       | 100 / 104 | 220             |
| 15              | CF100       | 100 / 104 | 220             |
| 16              | CF63        | 72 / 76   | 200             |
| 17              | CF63        | 72 / 76   | 210             |
| 18              | CF16        | 16 / 19   | 180             |
| 19              | CF100       | 100 / 104 | 270             |