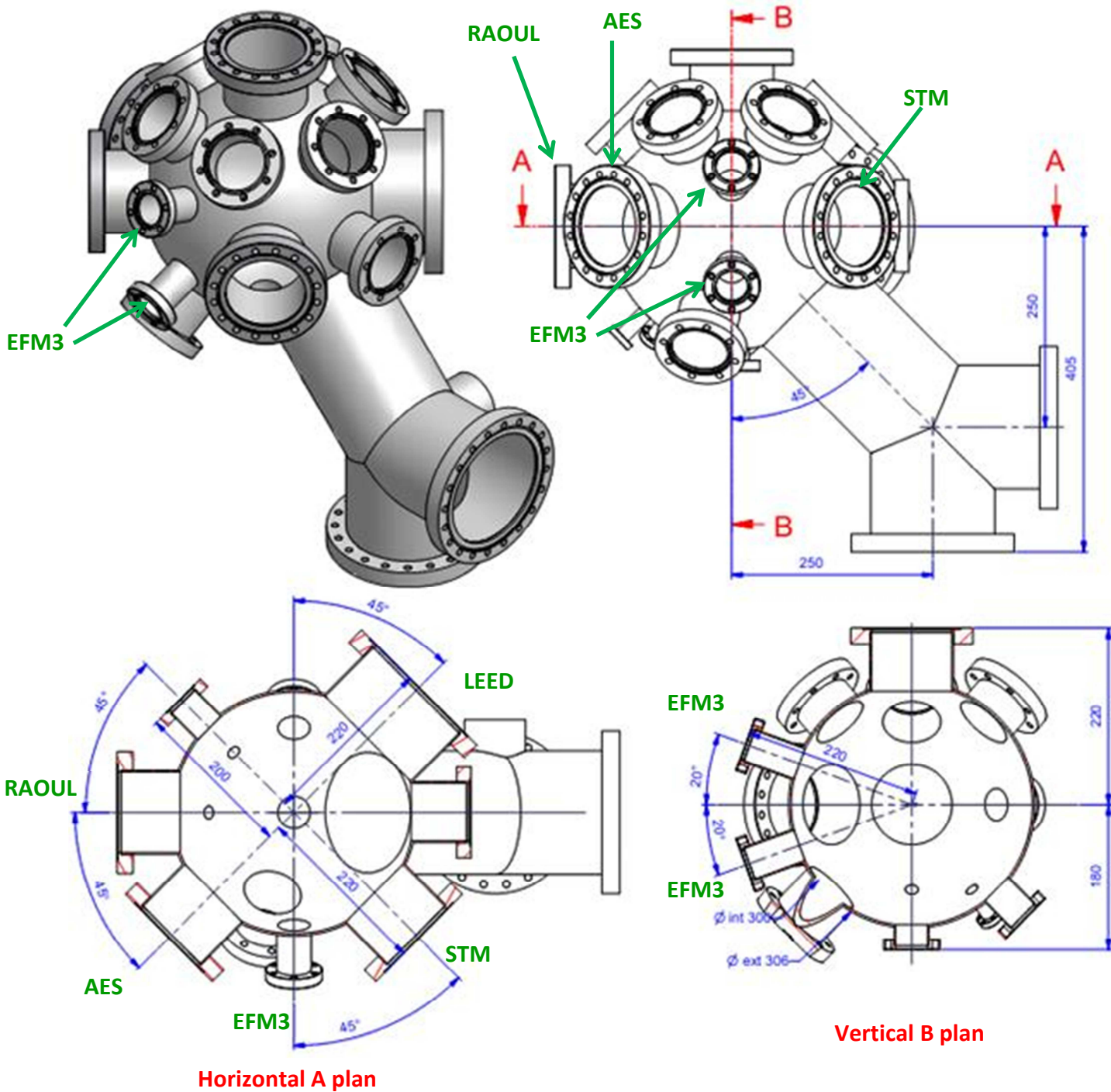


## MBE (molecular beam epitaxy chamber)

With a pressure in the low  $10^{-10}$  mbar, this chamber is dedicated to **metal deposition** with 2 electron beam evaporators (Omicron EFM 3, transferable and retractable → see below for details) and a quartz crystal microbalance, **sample treatment** by annealing (1000°C oven) and/or ion sputtering and **sample analysis** by AES, LEED or STM (50K to 500K).



### EFM 3

They are transferable, meaning it is not necessary to vent the main chamber to remove them; they consist in:

- CF-40 manual VAT valve (series 01), 35mm thick
- CF-40 port aligner: 100mm long
- CF-40 100mm translation: 63mm long contracted and 163mm long extended, or
- CF-40 150mm translation: 75mm long contracted and 225mm long extended

